

# HEAT & GLO™

No one builds a better fire



DESIGNED | to inspire

## I30 SERIES BALANCED FLUE GAS FIREPLACES

# FRONT AND SURROUND OPTIONS



## COSMO-I30 with HALO Front

HALO convex proud front available in Black or Fog Grey with 3 or 4 sided surround. The HALO Front is only available for the COSMO unit.



## COSMO-I30 with MARTINI Front

MARTINI front available in Graphite, Fog (Grey), Lava (red) or Ebony (black) with 3 or 4 sided surround. The MARTINI Front is available for both SUPREME-I30 and COSMO-I30 units.



## COSMO-I30 with LINEAR Front

LINEAR front (proud mount) available in Black only with 3 or 4 sided surround. The LINEAR Front is available for both SUPREME-I30 and COSMO-I30 units.



## SUPREME-I30 with LINEAR Front

LINEAR front (proud mount) available in Black only with 3 or 4 sided surround. The LINEAR Front is available for both SUPREME-I30 and COSMO-I30 units.



## COSMO-I30 with DF Front

DF Standard front (flush mount) available in Black only with 3 or 4 sided surround. The DF Front is available for both SUPREME-I30 and COSMO-I30 units.



## SUPREME-I30 with DF Front

DF Standard front (flush mount) available in Black only with 3 or 4 sided surround. The DF Front is available for both SUPREME-I30 and COSMO-I30 units.

## A RANGE OF FLAT TRIM OPTIONS ARE ALSO AVAILABLE FOR THE DF STANDARD FRONT

- 50mm Black trim for stone or brick only
- 100mm 3 and 4 sided BLACK and STAINLESS STEEL trims
- Trim for Cast Iron Fascia
- Custom made 3 and 4 sided BLACK and STAINLESS STEEL trims



100mm 3 sided BLACK trim COSMO-I30



100mm 3 sided Stainless Steel trim SUPREME-I30



100mm 4 sided BLACK trim SUPREME-I30



100mm 4 sided Stainless Steel trim COSMO-I30

# HOW TO SELECT YOUR GAS FIREPLACE

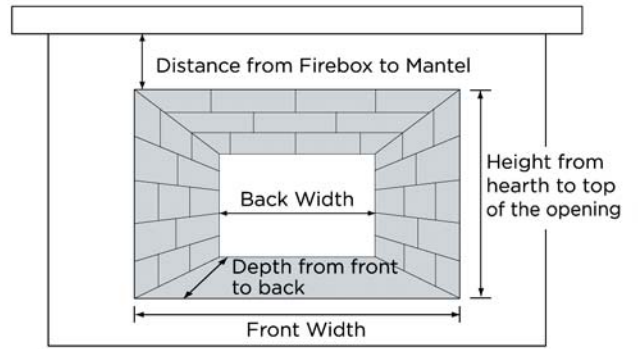
## IF IT'S A NEW CONSTRUCTION

Refer to the Hebel Installation Specifications

## OTHERWISE



### STEP 1 MEASURE YOUR EXISTING FIREPLACE



### STEP 2 CHOOSE YOUR INSERT



**COSMO-I30**

- Customize with glass media or pebbles



**SUPREME-I30**

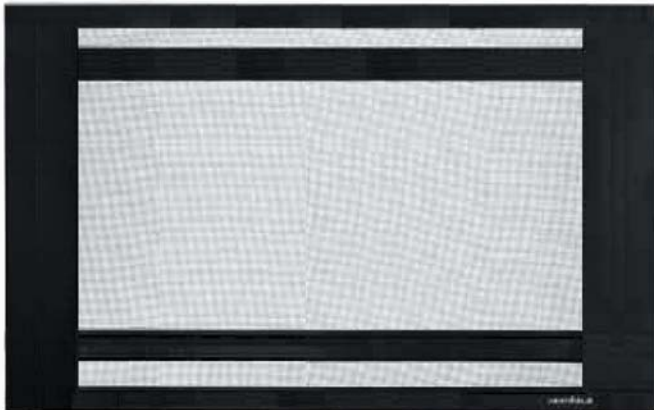
- Available with logs only

### STEP 3 CHOOSE YOUR SURROUND

To bring a finished and polished look to your new insert, you need a matching metal surround to cover the gap between the insert and your existing fireplace opening.

### STEP 4 FINISH WITH A FRONT\*

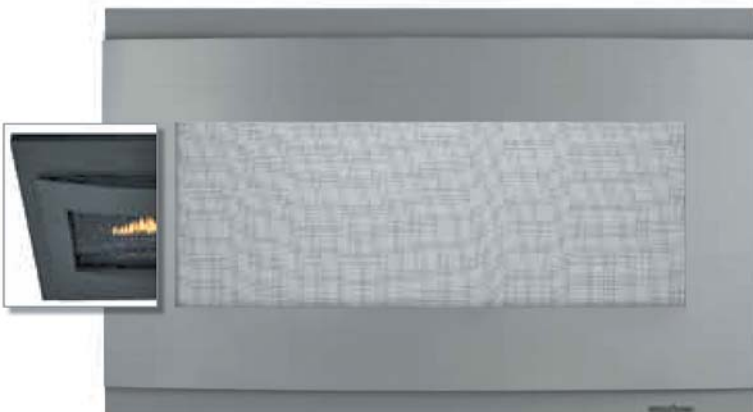
Complete your insert with a stylish front available in a range of designs and finishes.



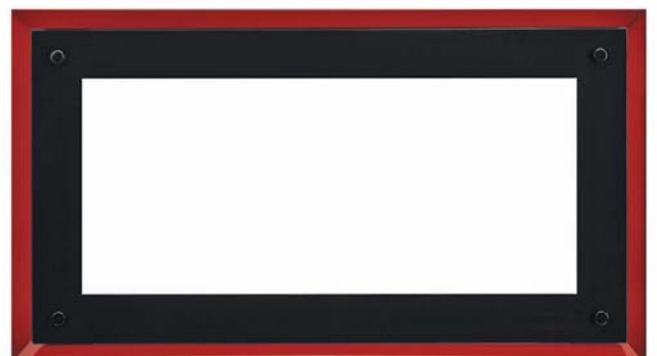
**LINEAR**



**DF**



**HALO** (For COSMO-I30 only)

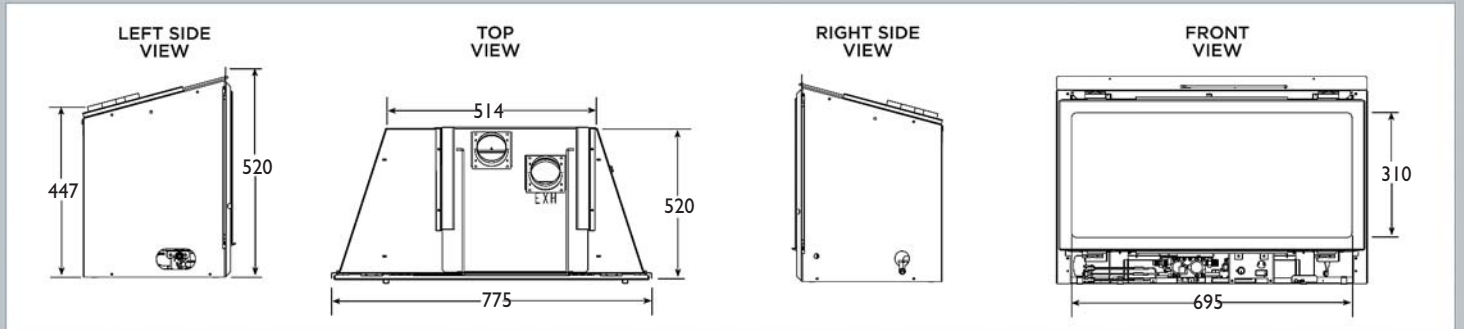


**MARTINI**

\*Please note that there is a significant difference in fan air circulation between the various fronts. The Halo and Martini limit the perceived fan air circulation, but heat is still produced efficiently.

# SUPREME-I30AU & COSMO-I30AU Specifications

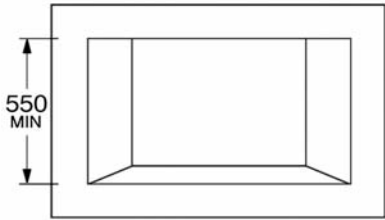
| MODEL                    | FRONT WIDTH |                      | BACK WIDTH |                      | HEIGHT |                      | DEPTH |                      | VIEWING AREA | mj/h (NG)              |
|--------------------------|-------------|----------------------|------------|----------------------|--------|----------------------|-------|----------------------|--------------|------------------------|
|                          | UNIT        | MIN. FIREBOX OPENING | UNIT       | MIN. FIREBOX OPENING | UNIT   | MIN. FIREBOX OPENING | UNIT  | MIN. FIREBOX OPENING |              |                        |
| SUPREME-I30<br>COSMO-I30 | 775         | 745                  | 514        | 520                  | 520    | 485                  | 355   | 360                  | 695 x 310    | 31.9 mj/h<br>26.5 mj/h |



Dimensions above are in millimetres and for reference only. We recommend measuring individual units at installation.

Refer to installation manual for detailed specifications on installing this product. Heat & Glo reserves the right to update units periodically. The flame and ember appearance may vary based on the type of fuel burned and the venting configuration used. Photos in this brochure may vary in colour and dimension (size) from the actual product.

## MINIMUM FIREPLACE OPENING



WIDTH: 750mm with std. surround, 800mm with flush trim  
DEPTH: 360mm with std. surround, 400mm with flush trim

## ADDITIONAL OPTIONS: Create a unique focal point in your home with these media options

### SUPREME LOGS



### COSMO MEDIA OPTIONS



Black Glass    Crystal Glass    Cobalt Glass    Amber Glass    Black Glass Beads    White Glass Beads    Ceramic Fibre Stones

## INTELLIFIRE PLUS IGNITION SYSTEM AND WIRELESS CONTROLS



The IntelliFire Plus Ignition System is an "intelligent" control system providing energy conservation and the comfort of a roaring fire, all at your fingertips! IntelliFire Plus features intermittent-pilot ignition

(IPI) allowing you to conserve fuel and money when the fireplace is not in use. In addition, the system offers seamless transition from AC to battery backup in a power outage, as well as built-in safety features and memory settings. Lastly, our new IntelliFire Plus remote control provides stylish and fully featured benefits that make controlling your heat easier than ever.

**INTELLIFIRE PLUS RC300** incorporates an LCD screen, intuitive menus and large control buttons in a sleek and modern design. This wireless control gives you the flexibility to use as a remote only or a mount on the wall anywhere in the room.

Model: RC300-HNG

Features: Auto Battery Backup, Pilot Activation, On/Off, Flame Height, Fan Speed, Room Temperature Readout, Thermostat Mode, Timer Mode, Child Lock, Wall Docking Station.



SUPREME-I30AU & COSMO-I30AU Approval No: GSCS20181

**HEAT & GLO**  
No one builds a better fire

